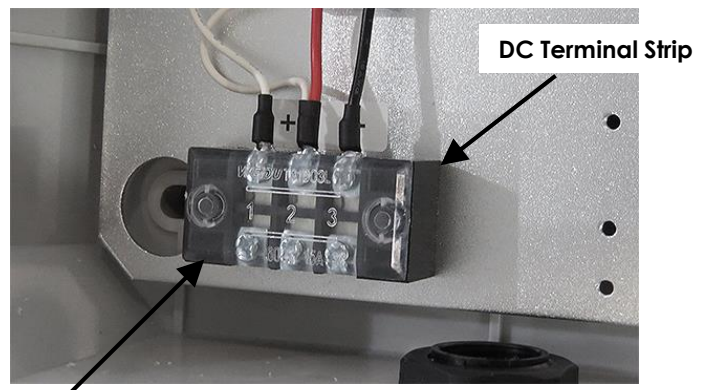


Wiring

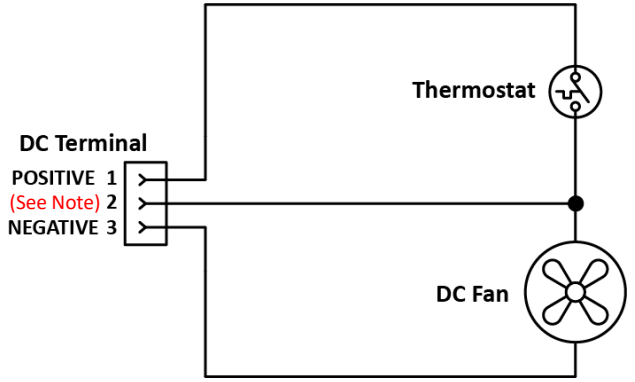
These enclosures feature a DC terminal strip for simplified wiring on-site.

1. To wire the enclosure, first snap off the clear cover on the terminal strip.



Terminal Strip Cover

2. Attach DC power cable to terminal block. See below for wiring diagram



3. Snap terminal strip cover back into place.

Operational Note:

To set the cooling fan to run continuously, connect the Positive power lead to terminal 2. This will bypass the thermostat.

WARNING: INSTALLATION OF THIS PRODUCT NEAR POWERLINES IS DANGEROUS. FOR YOUR SAFETY, FOLLOW THE INSTALLATION DIRECTIONS



Under some conditions, this enclosure may not prevent electrocution. Users should keep enclosure away from any overhead wires. If enclosure contacts a power line, any initial protection could fail at any time. IF ENCLOSURE NEARS ANY OVERHEAD WIRES, IMMEDIATELY LET GO, STAY AWAY, AND CALL UTILITY COMPANY

THIS ENCLOSURE IS DESIGNED TO BE INSTALLED ONLY BY A TRAINED PROFESSIONAL INSTALLER

Warning: To avoid electric shock, grounding must be installed by the installer as part of the installation. The unit must be grounded and installed in accordance with National Electrical Codes (NEC) and any local codes. Note that non-metallic enclosures do not provide grounding between conduit connections.

Warning: Enclosure must be locked when energized to prevent unauthorized access and shock hazard.

Important: Look over the site before beginning installation, and anticipate possible hazards. Select a safe site to install the enclosure.

If you have power lines in the area, call your local electric utility for assistance.

NEVER work alone; always have someone near who can summon help. Check weather conditions. Be sure that the area is not slippery and make sure that rain or thunderstorms are not predicted for the day you install the enclosure. If you need to use a ladder, make sure it is made of non-conductive (non-metallic) material.

Enclosures improperly installed or installed to an inadequate structure are susceptible to wind damage that can be very serious or even life threatening. Ensure that the installation is properly grounded. Ensure that the enclosure is properly secured and structurally sound to support all loads (weight, wind & ice).

Rooftop Installation Warning

DO NOT assume that just because you're on a roof, you're isolated from ground. You may still be electrocuted or fall off the roof.



Altelix LLC USA: 866-660-WIFI (9434) International: +1 561-660-9434 sales@altelix.com www.altelix.com
Copyright (C) 2019 Altelix LLC. All rights reserved. Altelix and the Altelix logo are Trademarks and/or Registered Trademarks of Altelix LLC.
Specifications are subject to change without notice. See www.altelix.com for most current information

Got Questions?
We are here to help.
Contact us at:



sales@altelix.com



USA & Canada: 866-660-9434
International: +1 561-660-9434

Wall Mounting

The NP141105VFDx and NP171406VFDx enclosures can be wall mounted using the supplied hardware or pole mounted using the optional **NMK Series** pole mounting kits available from www.ALTELIX.com.

1. Using a 1/4" drill bit, drill two holes into the rear of the enclosure at the locations shown.
2. Drill wall as required. See mounting hole dimensions on page 3.

Included with the enclosure are (4) Rubber Bonded Washers and (4) Screws with Wall Anchors.



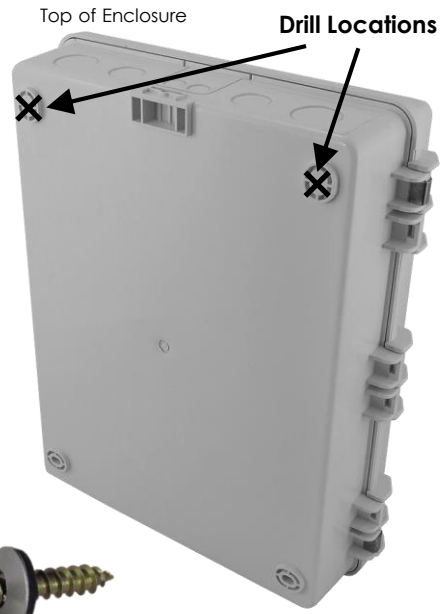
3. Place Rubber Bonded Washers onto the Screws as shown.



4. Secure the enclosure to wall using the (4) screws in locations shown.

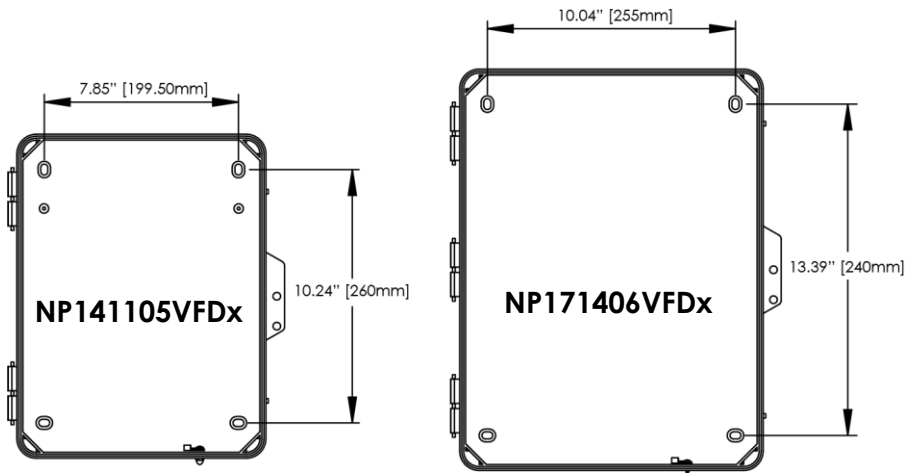


NP141105VFDx Shown



Wall Mounting

Mounting Hole Dimensions



Note: Drilling Templates can be download by visiting www.ALTELIX.com in the Resources section.



Shown with Equipment Mounting Plate Removed for Clarity

When mounting, ensure the rubber bonded washers completely cover the enclosure mounting holes to provide a water-tight seal. Silicone sealant can also be added to enhance the seal.