



# NP12VA1C-YLK1



## Installation Guide

**Altelix LLC USA: 866-660-WIFI (9434) International: +1 561-660-9434 sales@altelix.com www.altelix.com**  
Copyright (C) 2023 Altelix LLC. All rights reserved. Altelix and the Altelix logo are Trademarks and/or Registered Trademarks of Altelix LLC.  
Specifications are subject to change without notice. See [www.altelix.com](http://www.altelix.com) for most current information

## Installing the YoLink Hub

The NP12VA1C-YLK1 features a cradle type mount specifically designed to secure the YoLink Hub inside the enclosure.

1. Pop the YoLink Hub into the mount as shown.

**YoLink Hub Mount**



# Connecting the YoLink Hub

A cable gland is provided on the enclosure to allow Ethernet cables (not included) to be connected to the YoLink Hub.



2. The cable gland will allow a terminated Ethernet cable to be fed into the enclosure. This diagram illustrates the steps for using the cable gland. Be sure plenty of slack is provided to plug into the YoLink Hub before tightening the gland.



3. Once the Ethernet cables are connected to the YoLink Hub, secure cables using the cable clamp provided on the enclosure. To prevent damaging cables, do not over-tighten clamp.



4. Connect the YoLink Hub power cord to the internal 120VAC power outlet. Secure any loose cables using the cable management straps provided in the accessory kit.

## Wall Mounting the NP12VE1-YLK1

To wall mount the NP12FA1-APV1 enclosure, (3) external mounting tabs are provided on the rear of the enclosure. For better security, it can also be mounted using the (4) internal mounting feet.

The mounting kit Included with the enclosure includes (4) Rubber Sealing Washers and (4) Screws with Wall Anchors.



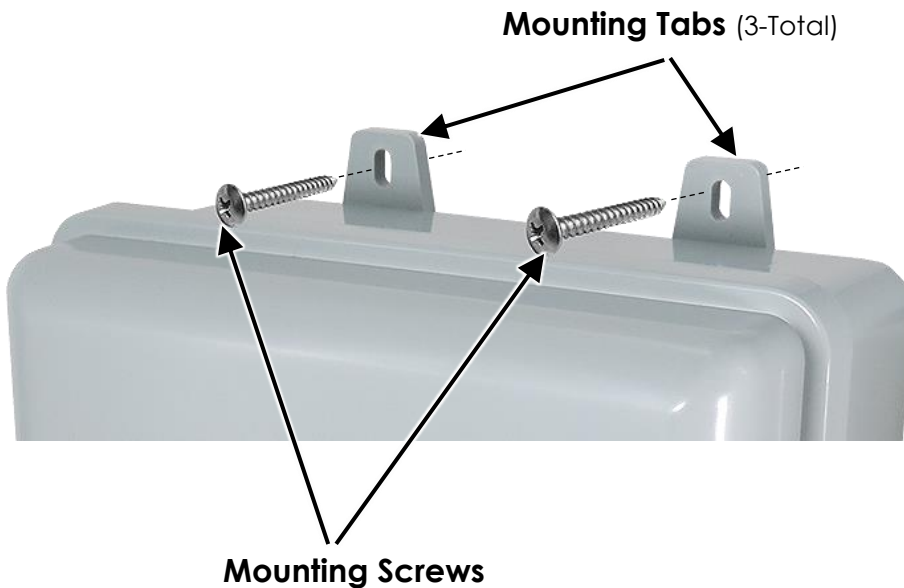
Rubber Sealing Washers



Mounting Screws with Wall Anchors

## Using Mounting Tabs

The enclosure can be secured to the wall using the mounting screws included in the kit. Install wall anchors as required.



**Got Questions?**  
**We are here to help.**  
**Contact us at:**



**sales@altelix.com**

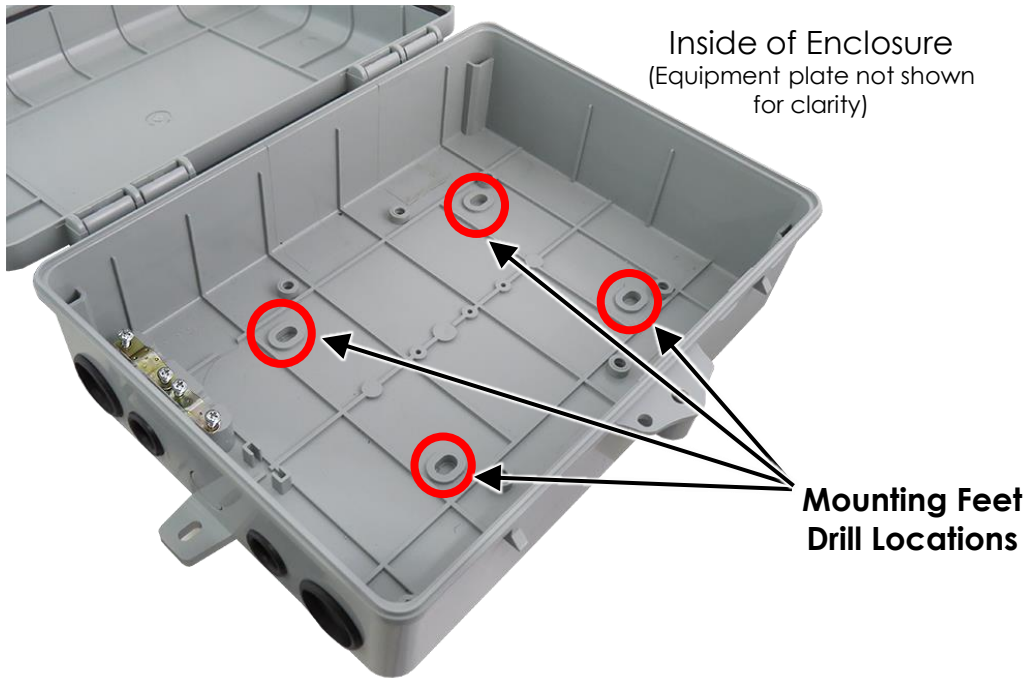


**USA & Canada: 866-660-9434**  
**International: +1 561-660-9434**



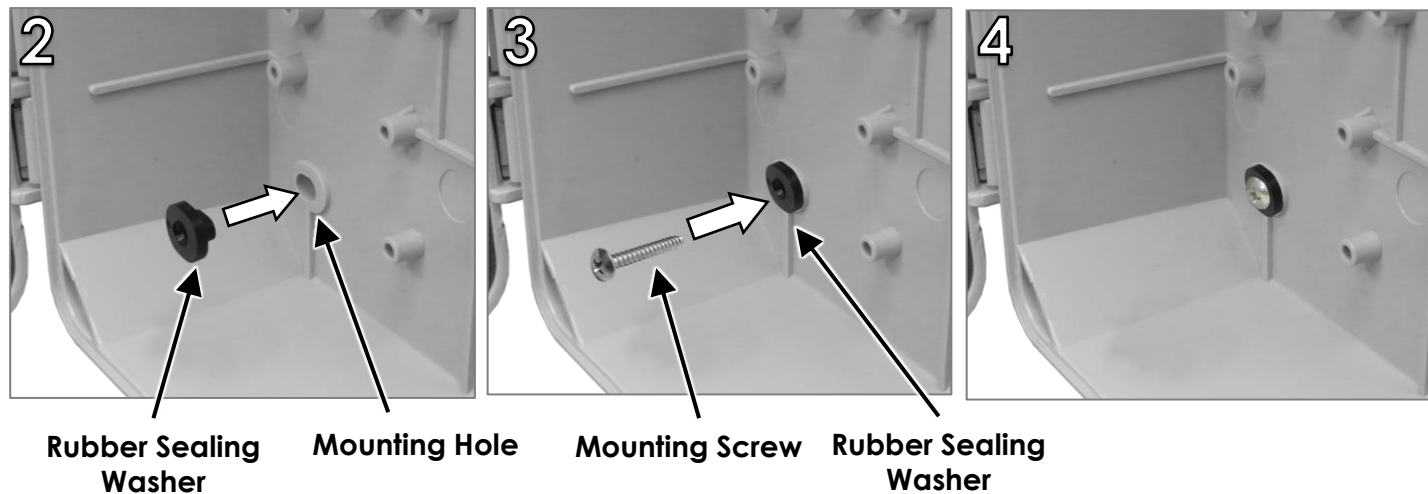
## Using Internal Mounting Feet

- Using a ¼" drill bit, drill (4) holes through the center of the mounting feet in the locations shown.



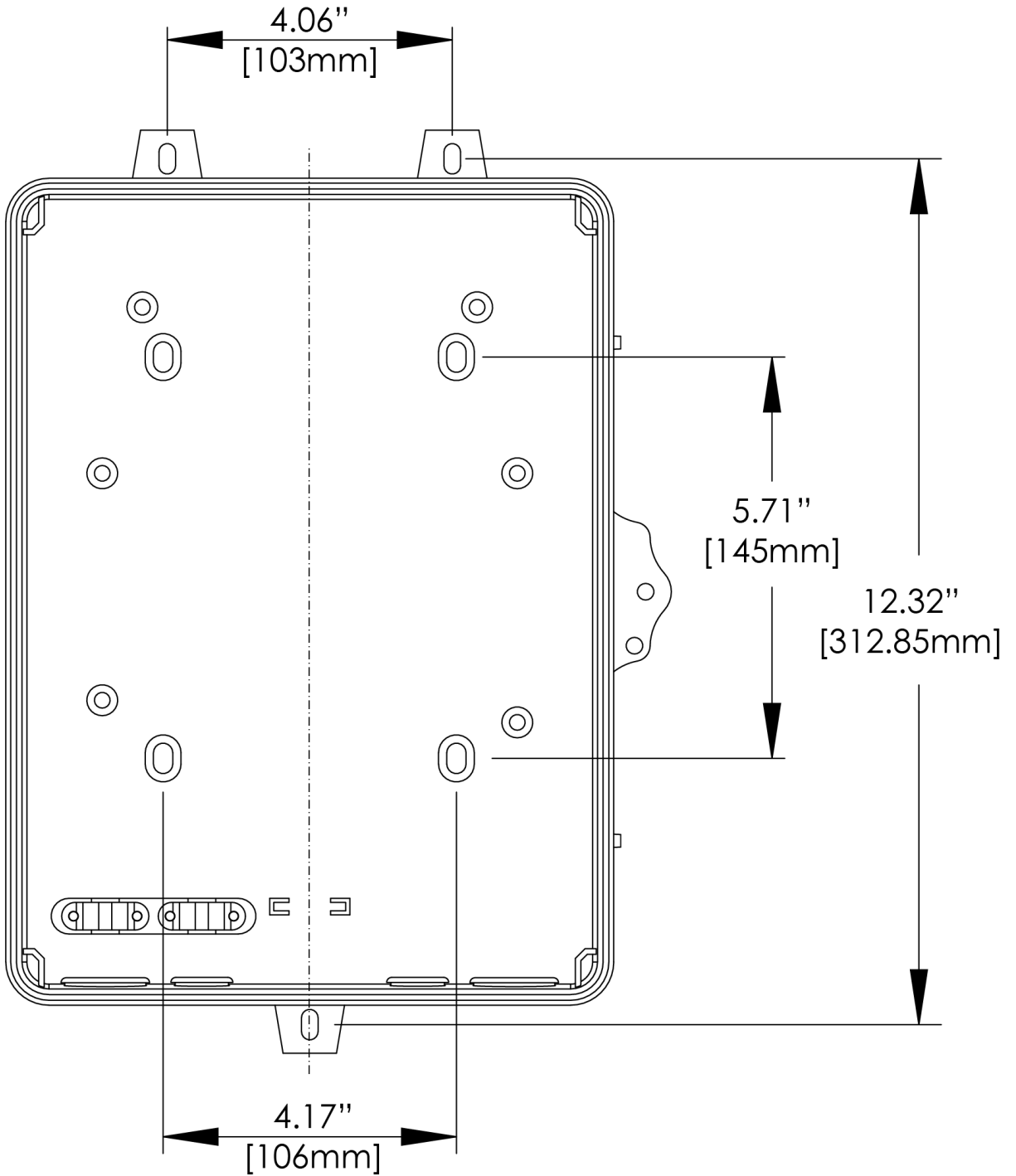
## Mounting the Enclosure

- Place (4) Rubber Sealing Washers into (4) mounting holes as shown.
- Secure the enclosure to the wall using the (4) Screws.



- When mounting the enclosure, ensure the rubber sealing washers completely cover the enclosure mounting holes to provide a water-tight seal. Silicone sealant can also be added to enhance the seal.

# Mounting Hole Locations



**WARNING: INSTALLATION OF THIS PRODUCT NEAR POWERLINES IS DANGEROUS. FOR YOUR SAFETY, FOLLOW THE INSTALLATION DIRECTIONS**



Under some conditions, this enclosure may not prevent electrocution. Users should keep enclosure away from any overhead wires. If enclosure contacts a power line, any initial protection could fail at any time. IF ENCLOSURE NEARS ANY OVERHEAD WIRES, IMMEDIATELY LET GO, STAY AWAY, AND CALL UTILITY COMPANY

**THIS ENCLOSURE IS DESIGNED TO BE INSTALLED ONLY BY A TRAINED PROFESSIONAL INSTALLER**

**Warning:** To avoid electric shock, grounding must be installed by the installer as part of the installation. The unit must be grounded and installed in accordance with National Electrical Codes (NEC) and any local codes. Note that non-metallic enclosures do not provide grounding between conduit connections.

**Warning:** Enclosure must be secured when energized to prevent unauthorized access and shock hazard.

**Important:** Look over the site before beginning installation and anticipate possible hazards. Select a safe site to install the enclosure.

If you have power lines in the area, call your local electric utility for assistance.

**NEVER** work alone; always have someone near who can summon help.

Check weather conditions. Be sure that the area is not slippery and make sure that rain or thunderstorms are not predicted for the day you install the enclosure.

If you need to use a ladder, make sure it is made of non-conductive (non-metallic) material.

Enclosures improperly installed or installed to an inadequate structure are susceptible to wind damage that can be very serious or even life threatening. Ensure that the installation is properly grounded. Ensure that the enclosure is properly secured and structurally sound to support all loads (weight, wind & ice).

## **Rooftop Installation Warning**

**DO NOT** assume that just because you're on a roof, you're isolated from ground. You may still be electrocuted or fall off the roof.