

Altelix

NP14-EER1 Series



Installation Guide

Altelix LLC USA: 866-660-WIFI (9434) International: +1 561-660-9434 sales@altelix.com www.altelix.com
Copyright (C) 2024 Altelix LLC. All rights reserved. Altelix and the Altelix logo are Trademarks and/or Registered Trademarks of Altelix LLC.
Specifications are subject to change without notice. See www.altelix.com for most current information

Installing the eero

The NP14-EER1 features a cradle type mount specifically designed to secure the eero router inside the enclosure.

1. Slide the eero device into the mounting cradle as shown.

eero Mounting Cradle



Note: Photos may look different from actual enclosure model.

2. (Optional Step) For installations subject to vibrations, an optional hook and loop strap is provided to secure the eero device in the mounting cradle.



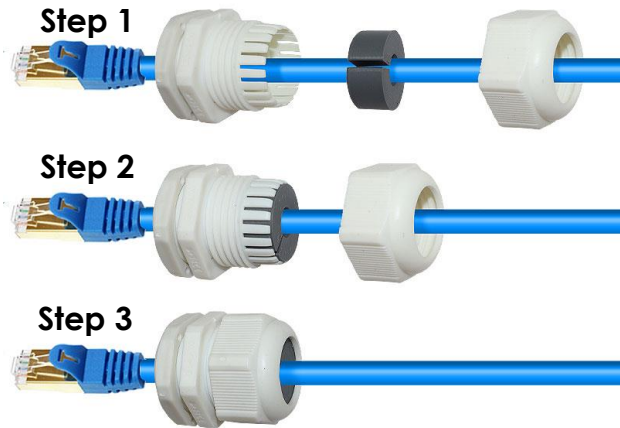
Optional Hook and Loop Strap

Connecting the eero

A cable gland is provided on the enclosure to allow the Ethernet cable (not included) to be connected to the eero device.



3. The cable gland will allow a terminated Ethernet cable to be fed into the enclosure. This diagram illustrates the steps for using the cable gland. Be sure plenty of slack is provided to plug into the eero router before tightening the gland.

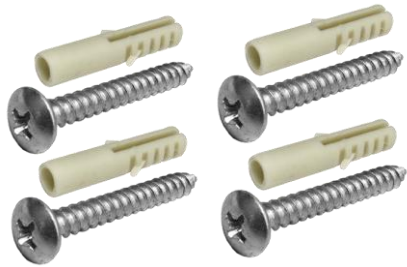


4. Connect the eero's power supply to the internal 120VAC power outlet. Secure any loose cables using the cable management straps provided in the accessory kit.

Wall Mounting the NP14-EER

The NP14-EER enclosure features (4) mounting feet on the rear of the enclosure.

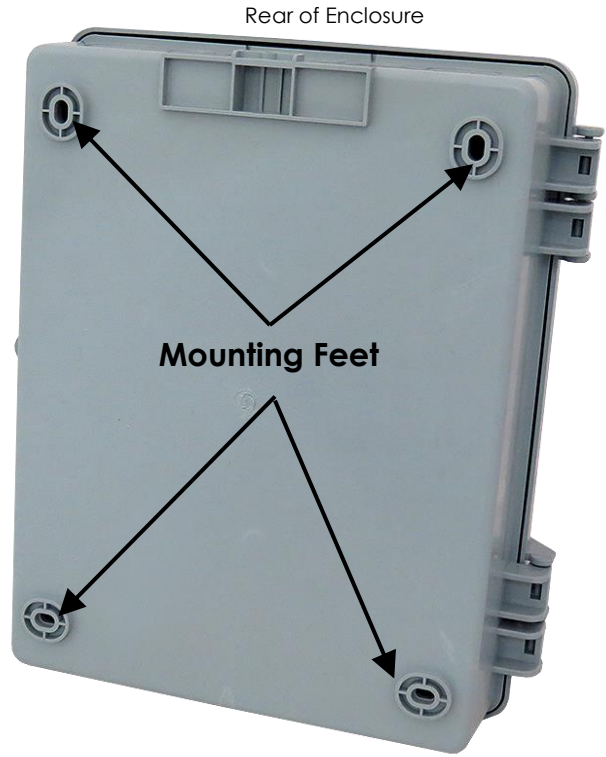
The mounting kit Included with the enclosure includes (4) Rubber Sealing Washers and (4) Screws with Wall Anchors.



Mounting Screws with Wall Anchors

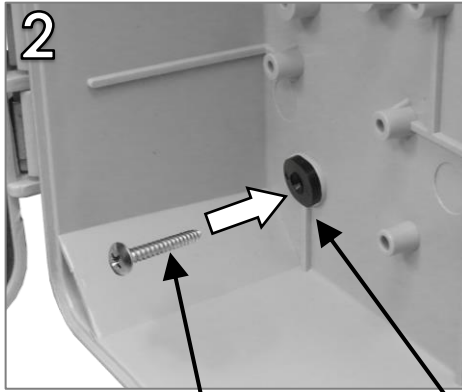
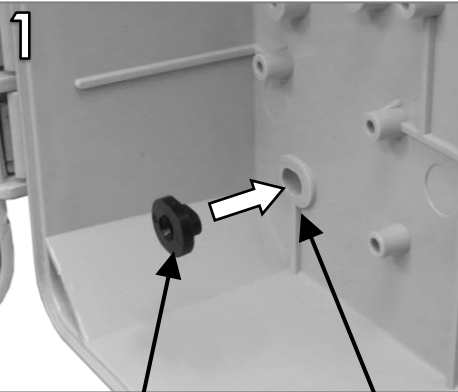


Rubber Sealing Washers



Mounting the Enclosure

1. Place (4) Rubber Sealing Washers into (4) mounting holes as shown.
2. Secure the enclosure to the wall using the (4) Screws.



Rubber Sealing Washer

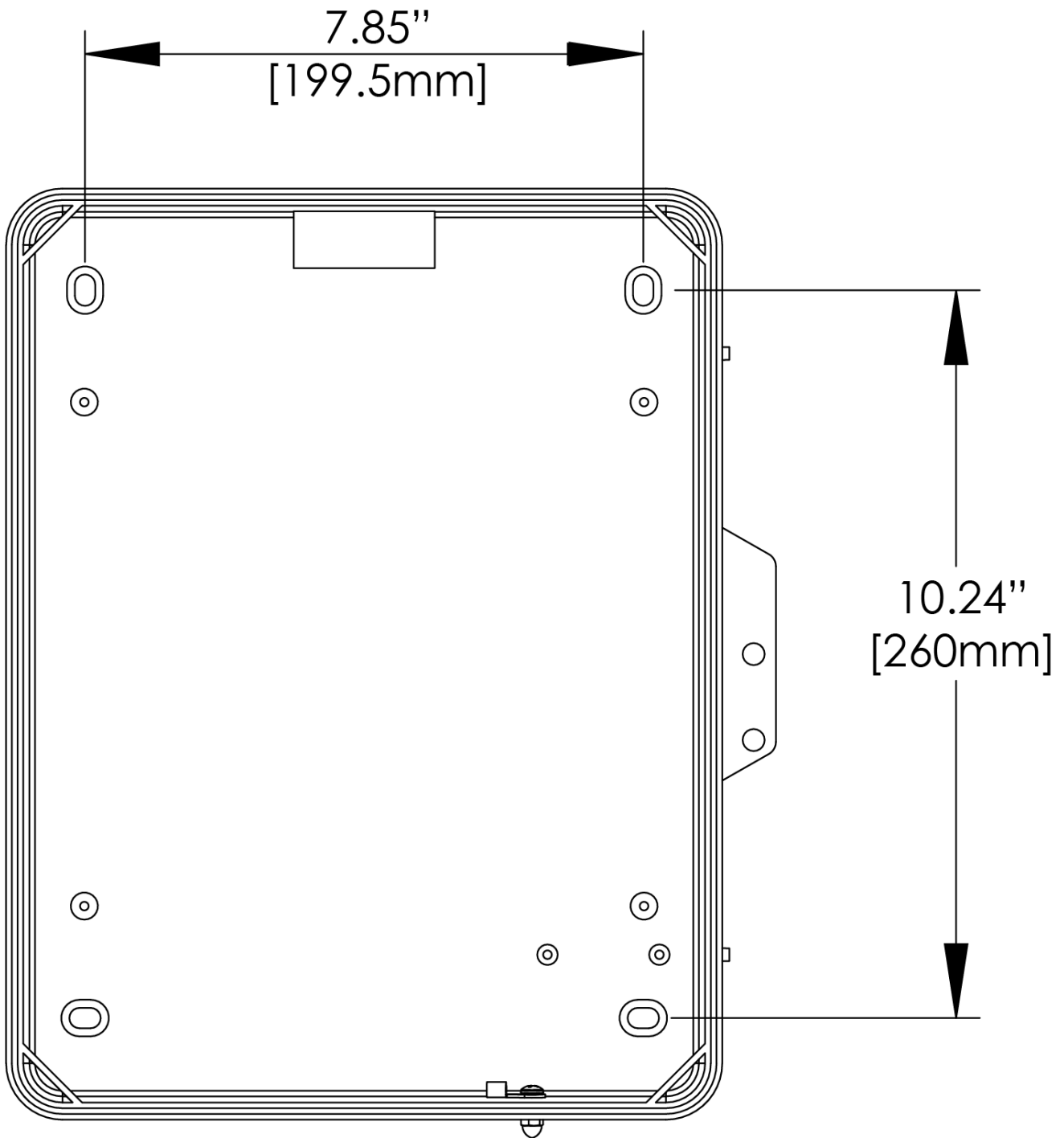
Mounting Hole

Mounting Screw

Rubber Sealing Washer

3. When mounting the enclosure, ensure the rubber sealing washers completely cover the enclosure mounting holes to provide a water-tight seal. Silicone sealant can also be added to enhance the seal.

Mounting Hole Locations



Got Questions?
We are here to help.
Contact us at:



sales@altelix.com



USA & Canada: 866-660-9434
International: +1 561-660-9434

WARNING: INSTALLATION OF THIS PRODUCT NEAR POWERLINES IS DANGEROUS. FOR YOUR SAFETY, FOLLOW THE INSTALLATION DIRECTIONS



Under some conditions, this enclosure may not prevent electrocution. Users should keep enclosure away from any overhead wires. If enclosure contacts a power line, any initial protection could fail at any time. IF ENCLOSURE NEARS ANY OVERHEAD WIRES, IMMEDIATELY LET GO, STAY AWAY, AND CALL UTILITY COMPANY

THIS ENCLOSURE IS DESIGNED TO BE INSTALLED ONLY BY A TRAINED PROFESSIONAL INSTALLER

Warning: To avoid electric shock, grounding must be installed by the installer as part of the installation. The unit must be grounded and installed in accordance with National Electrical Codes (NEC) and any local codes. Note that non-metallic enclosures do not provide grounding between conduit connections.

Warning: Enclosure must be secured when energized to prevent unauthorized access and shock hazard.

Important: Look over the site before beginning installation and anticipate possible hazards. Select a safe site to install the enclosure.

If you have power lines in the area, call your local electric utility for assistance.

NEVER work alone; always have someone near who can summon help.

Check weather conditions. Be sure that the area is not slippery and make sure that rain or thunderstorms are not predicted for the day you install the enclosure.

If you need to use a ladder, make sure it is made of non-conductive (non-metallic) material.

Enclosures improperly installed or installed to an inadequate structure are susceptible to wind damage that can be very serious or even life threatening. Ensure that the installation is properly grounded. Ensure that the enclosure is properly secured and structurally sound to support all loads (weight, wind & ice).

Rooftop Installation Warning

DO NOT assume that just because you're on a roof, you're isolated from ground. You may still be electrocuted or fall off the roof.