



WARNING: INSTALLATION OF THIS PRODUCT NEAR POWERLINES IS DANGEROUS. FOR YOUR SAFETY, FOLLOW THE INSTALLATION DIRECTIONS

Under some conditions, this enclosure may not prevent electrocution. Users should keep enclosure away from any overhead wires. If enclosure contacts a power line, any initial protection could fail at any time. IF ENCLOSURE NEARS ANY OVERHEAD WIRES, IMMEDIATELY LET GO, STAY AWAY, AND CALL UTILITY COMPANY

THIS ENCLOSURE IS DESIGNED TO BE INSTALLED ONLY BY A TRAINED PROFESSIONAL INSTALLER

Warning: To avoid electric shock, grounding must be installed by the installer as part of the installation. The unit must be grounded and installed in accordance with National Electrical Codes (NEC) and any local codes. Note that non-metallic enclosures do not provide grounding between conduit connections.

Warning: Enclosure must be secured using a pad-lock when energized to prevent unauthorized access and shock hazard.

Important: Look over the site before beginning installation, and anticipate possible hazards. Select a safe site to install the enclosure.

If you have power lines in the area, call your local electric utility for assistance.

NEVER work alone; always have someone near who can summon help. Check weather conditions. Be sure that the area is not slippery and make sure that rain or thunderstorms are not predicted for the day you install the enclosure.

If you need to use a ladder, make sure it is made of non-conductive (non-metallic) material.

Enclosures improperly installed or installed to an inadequate structure are susceptible to wind damage that can be very serious or even life threatening. Ensure that the installation is properly grounded. Ensure that the enclosure is properly secured and structurally sound to support all loads (weight, wind & ice).

Rooftop Installation Warning

DO NOT assume that just because you're on a roof, you're isolated from ground. You may still be electrocuted or fall off the roof.

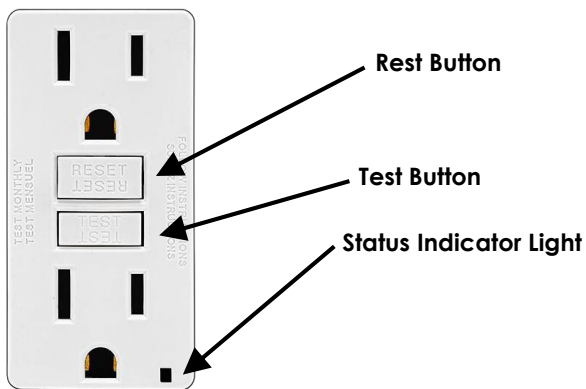


NP141105 GFI Series Installation Guide



GFCI Power Outlet

This enclosure features a Ground Fault Circuit Interrupter (GFCI) outlet. Like a circuit breaker, this outlet shuts off electric power when it senses an imbalance between the outgoing and incoming current. They are ideal in locations where water may be present since they provide an extra level of protection from electrical shock. Test and reset buttons are provided on the outlet.



Button Action	Indicator	Power Load	GFCI Status/Action
Tripped (RESET Button Out)	OFF	OFF	GFCI in Tripped state, press RESET button (GFCI will not reset if there is no power on the circuit)
Set (RESET Button In)	GREEN	ON	GFCI in normal working state
Tripped (RESET Button Out)	Solid or Flashing RED	OFF	OFF – press RESET to see if issue is cleared. If RED indication continues or GFCI will not RESET replace GFCI
Set (RESET Button In)	GREEN	ON	Press TEST to trip GFCI – press RESET to see if issue is cleared. If RED indication continues or GFCI will not RESET replace GFCI

Test GFCI Monthly

Mounting the Enclosure

The NP141105 enclosure can be either wall mounted using the supplied hardware or pole mounted using the optional **NMK-0002** poll mounting kit available from www.ALTELIX.com.

1. Using a 1/4" drill bit, drill two holes into the rear of the enclosure at the locations shown.

2. Using the included drilling template, place in the desired mounting location and drill wall as required.

3. Included with the enclosure are (4) Rubber Bonded Washers and (4) Screws with Wall Anchors.



4. Place Rubber Bonded washers onto the screws as shown.

5. (4) Holes in each corner of the metal back plate provide access to the mounting holes in the enclosure. When mounting, ensure the rubber bonded washers completely cover the enclosure mounting holes to provide a water-tight seal.

