

Wall Mounting Guide

The NP17AV series enclosures feature internal mounting points. These mounting points will need to be drilled out in order to wall mount the enclosure. Some NP enclosure may also feature external mounting feet.

To use the internal mounting points, using a 1/4" drill bit, drill through the enclosure as required.

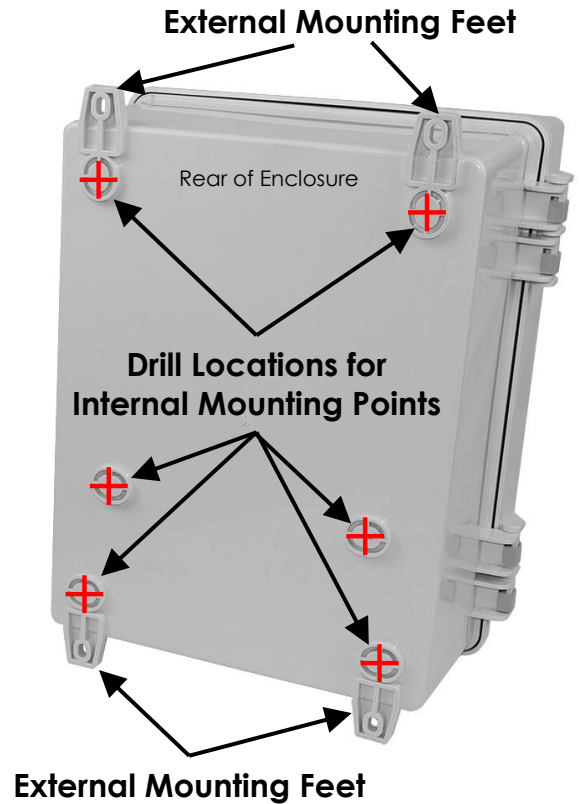
The mounting kit Included with the enclosure includes (4) Rubber Sealing Washers and (4) Screws with Wall Anchors.



Screws and Wall Anchors



Rubber Sealing Washers



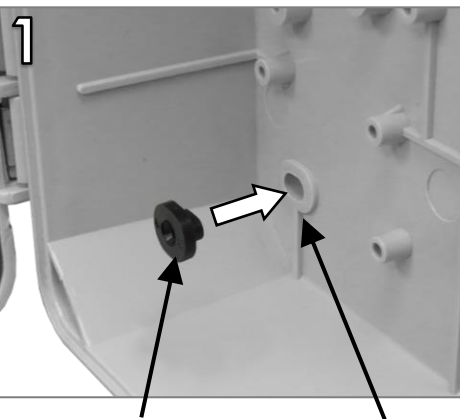
Mounting the Enclosure Using Internal Mounting Points

Step 1

Place (4) Rubber Sealing Washers into (4) mounting holes as shown.

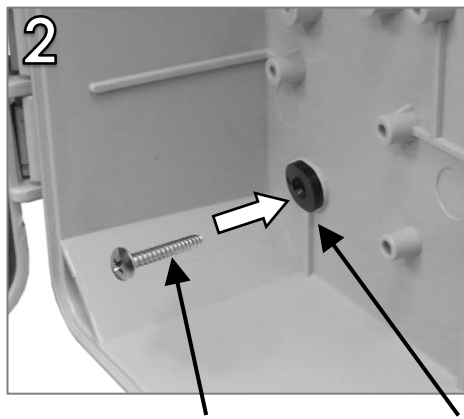
Step 2

Secure the enclosure to the wall using the (4) Screws.



Rubber Sealing Washer

Mounting Hole



Mounting Screw

Rubber Sealing Washer

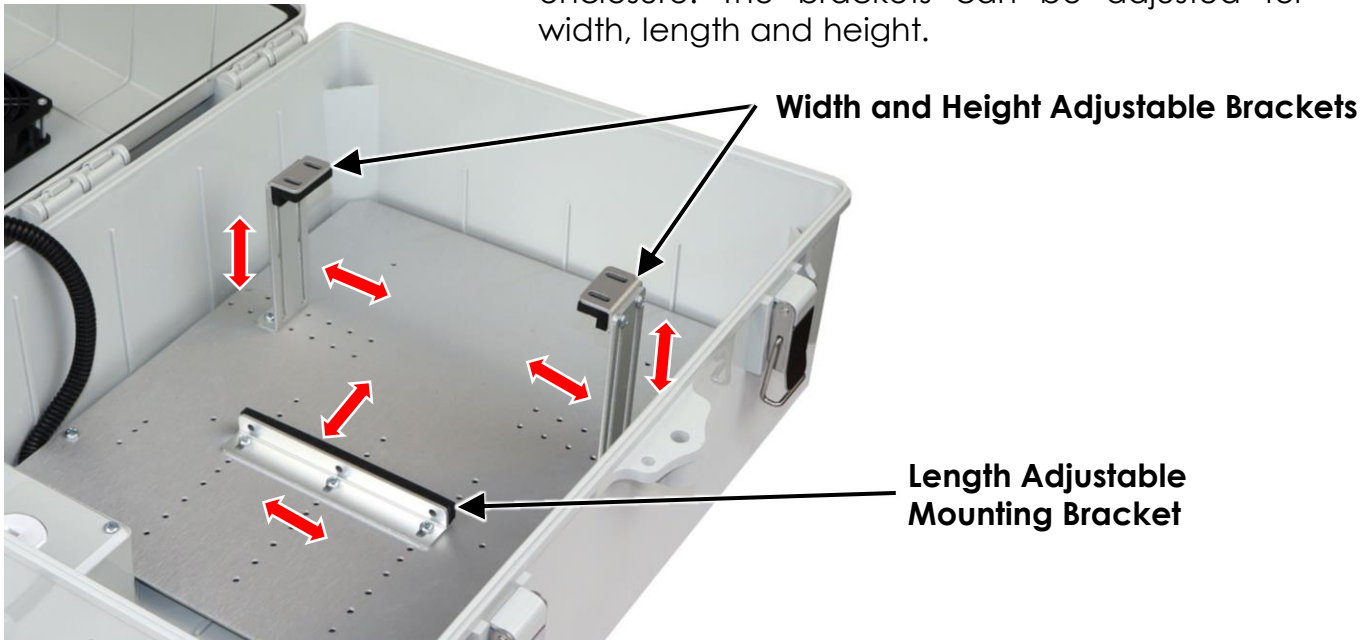


Step 3

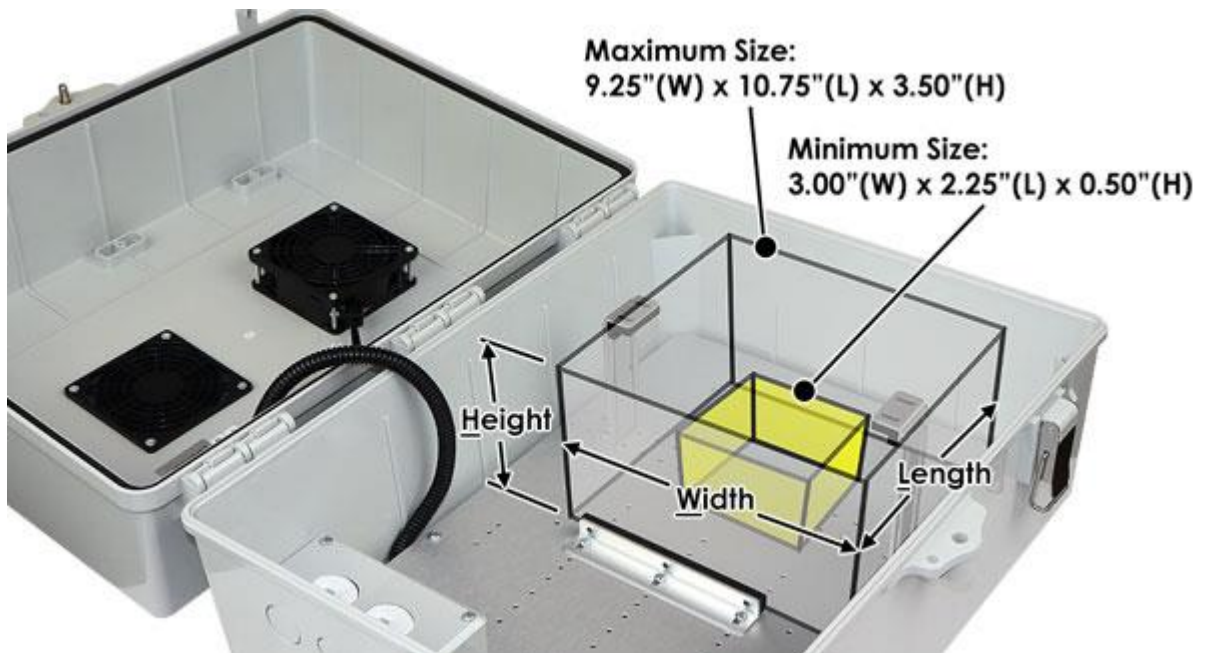
When mounting the enclosure, ensure the rubber sealing washers completely cover the enclosure mounting holes to provide a water-tight seal. Silicone sealant can also be added to enhance the seal.

Installing a Device

This enclosure features three adjustable brackets used for securing the equipment inside the enclosure. The brackets can be adjusted for width, length and height.



The following illustration shows the minimum and maximum size devices that can be installed inside the enclosure.

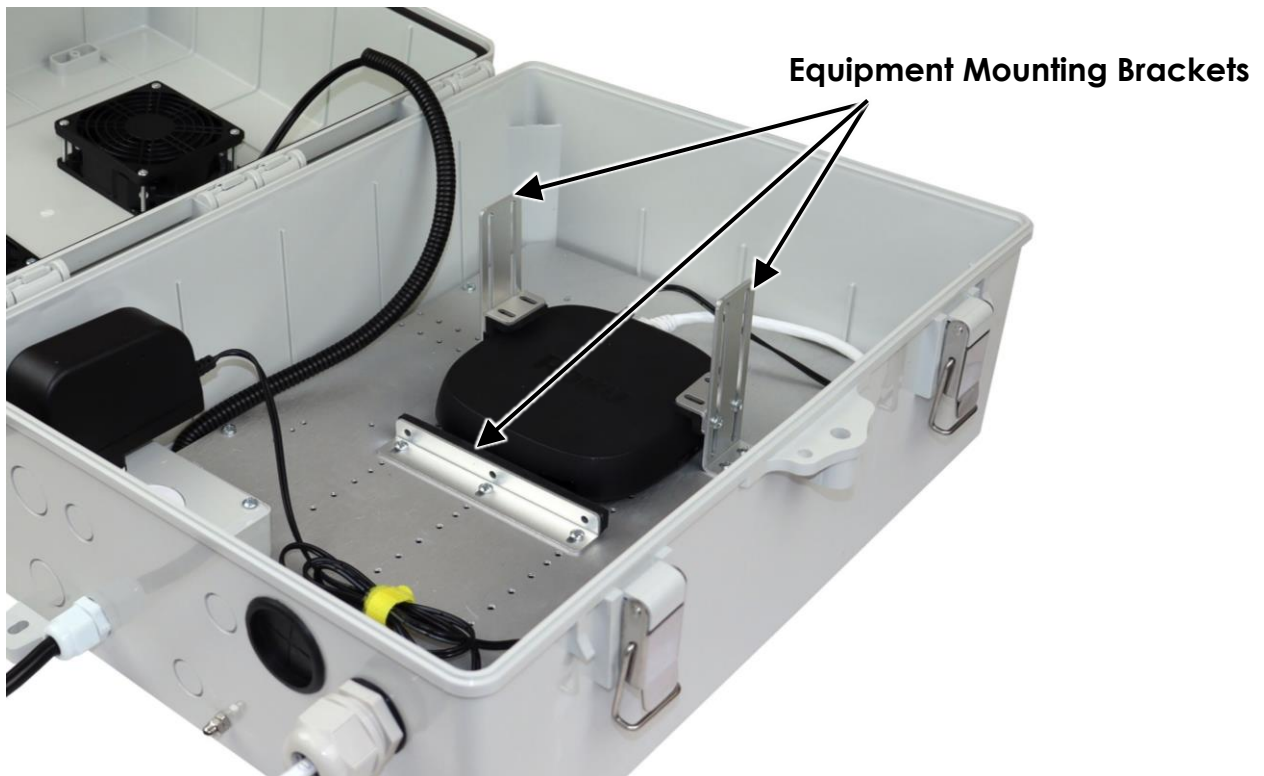




Mounting Bracket Kit

The equipment mounting bracket kit included with the enclosure contains (3) brackets for securing the device into the enclosure. The (7) screws included in the kit are used to attached the brackets to the back plate.

1. To determine the location of the (3) equipment mounting brackets, position the device to be installed into the enclosure as shown. Be sure to orientate it so that any connections or ports are easily accessible.



Got Questions?
We are here to help.
Contact us at:

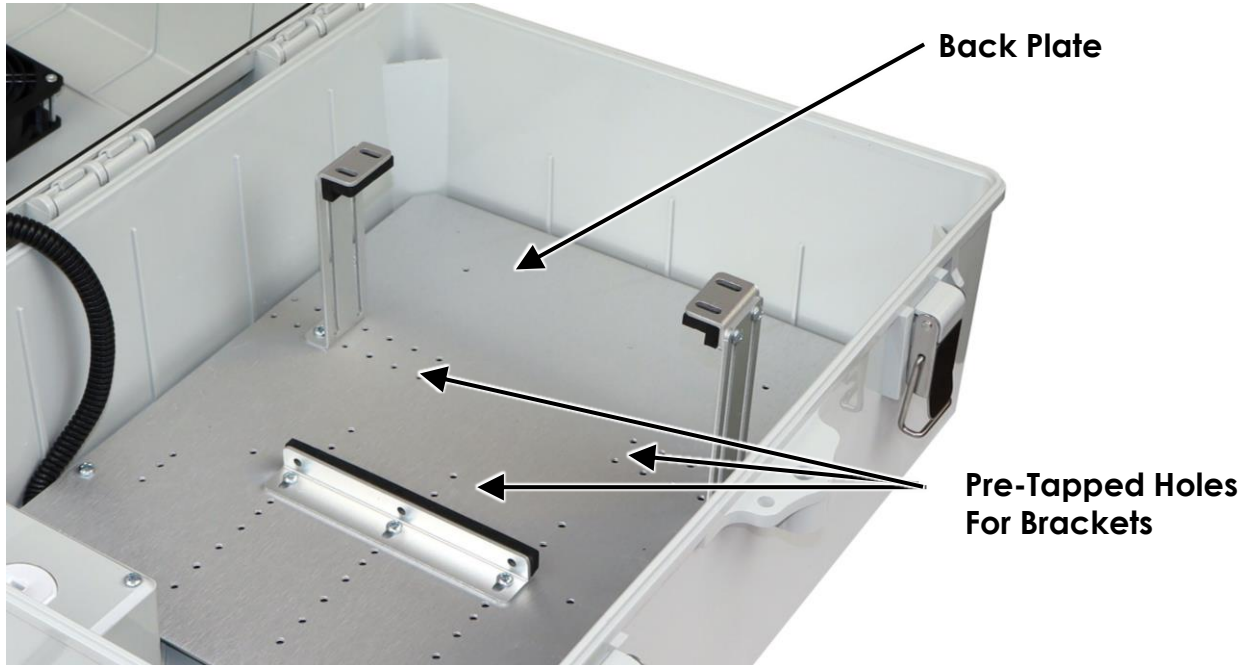


sales@altelix.com

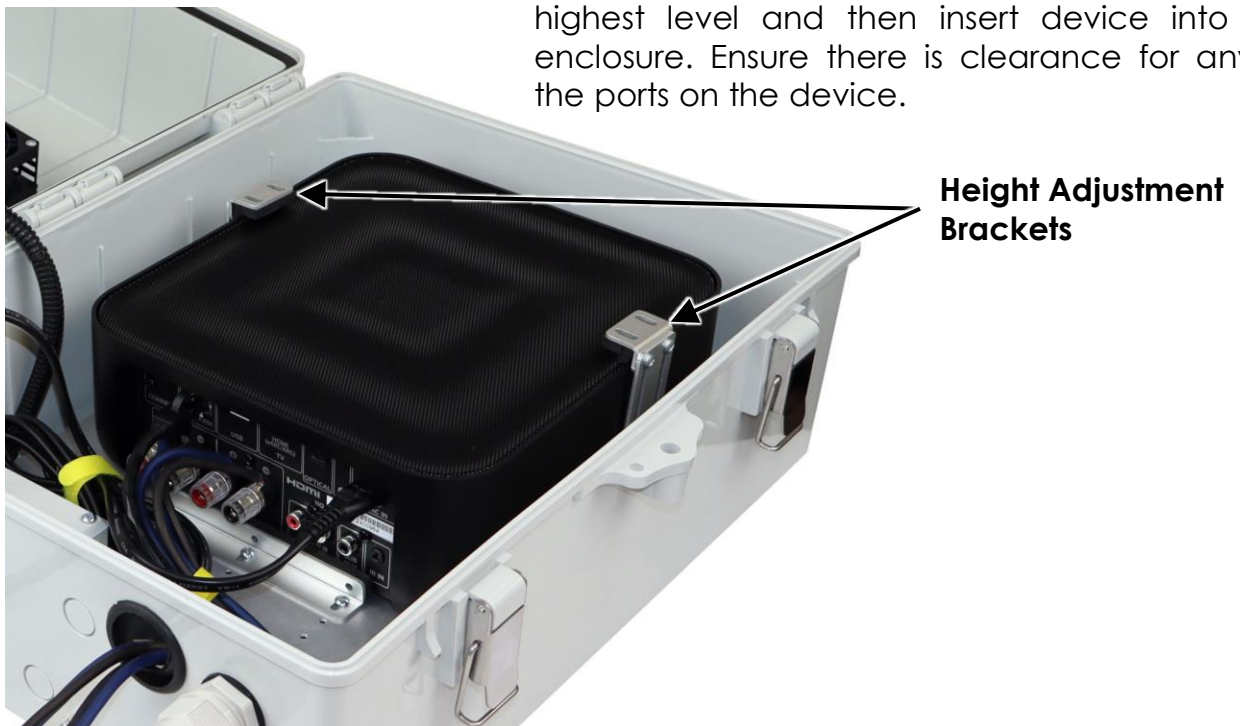


USA & Canada: 866-660-9434
International: +1 561-660-9434

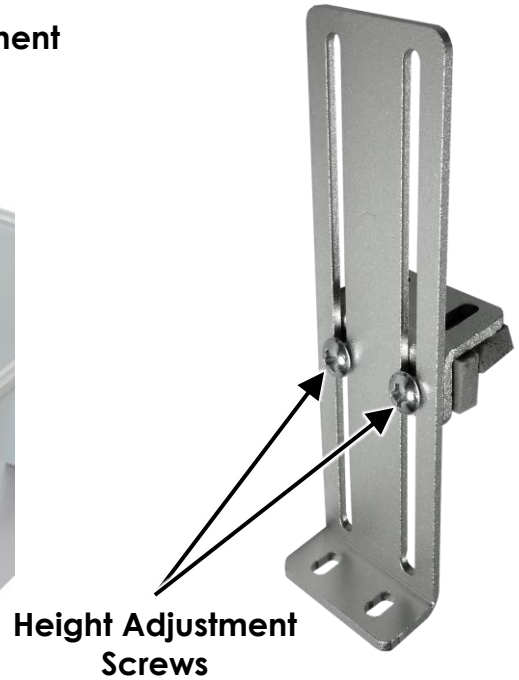
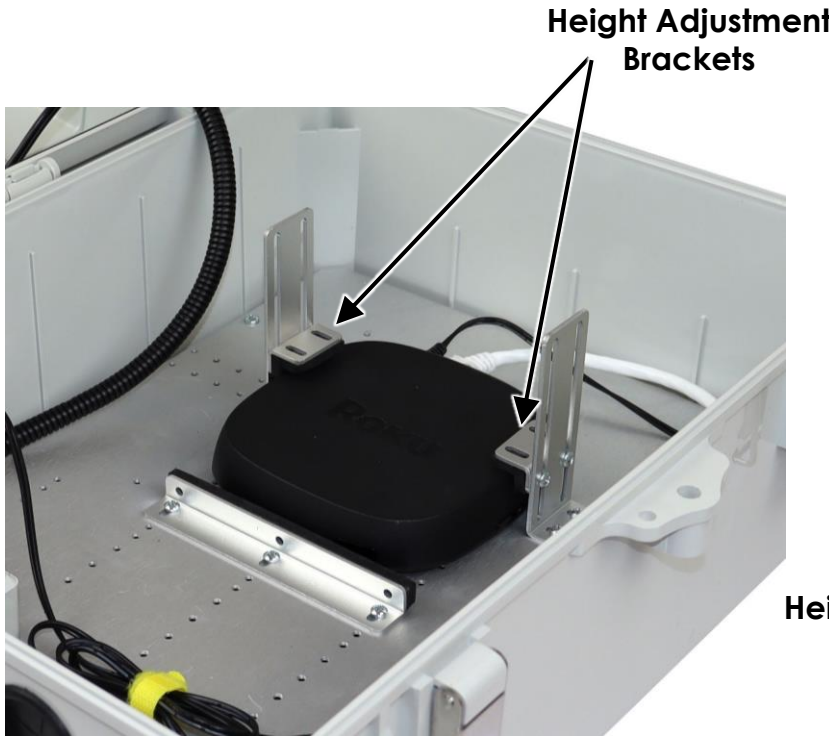
2. Once the location of the (3) equipment mounting brackets are determined, secure each to the back plate using the supplied screws. Pre-tapped holes are provided in the back plate for each bracket.



3. Set the two height adjustment brackets to their highest level and then insert device into the enclosure. Ensure there is clearance for any of the ports on the device.



4. Move the two height adjustment brackets into place and secure with the (2) screws on bracket. Ensure height adjustment screws are tight before placing enclosure into vertical position for mounting.



5. An assortment of Cable Gland and Cable Grommets are provided in the accessory kit to run speaker, Ethernet or any other types of cables to be connected to the installed device.



Got Questions?
We are here to help.
Contact us at:



sales@altelix.com



USA & Canada: 866-660-9434
International: +1 561-660-9434

WARNING: INSTALLATION OF THIS PRODUCT NEAR POWERLINES IS DANGEROUS. FOR YOUR SAFETY, FOLLOW THE INSTALLATION DIRECTIONS



Under some conditions, this enclosure may not prevent electrocution. Users should keep enclosure away from any overhead wires. If enclosure contacts a power line, any initial protection could fail at any time. IF ENCLOSURE NEARS ANY OVERHEAD WIRES, IMMEDIATELY LET GO, STAY AWAY, AND CALL UTILITY COMPANY

THIS ENCLOSURE IS DESIGNED TO BE INSTALLED ONLY BY A TRAINED PROFESSIONAL INSTALLER

Warning: To avoid electric shock, grounding must be installed by the installer as part of the installation. The unit must be grounded and installed in accordance with National Electrical Codes (NEC) and any local codes. Note that non-metallic enclosures do not provide grounding between conduit connections.

Warning: Enclosure must be secured when energized to prevent unauthorized access and shock hazard.

Important: Look over the site before beginning installation, and anticipate possible hazards. Select a safe site to install the enclosure.

If you have power lines in the area, call your local electric utility for assistance.

NEVER work alone; always have someone near who can summon help.

Check weather conditions. Be sure that the area is not slippery and make sure that rain or thunderstorms are not predicted for the day you install the enclosure.

If you need to use a ladder, make sure it is made of non-conductive (non-metallic) material.

Enclosures improperly installed or installed to an inadequate structure are susceptible to wind damage that can be very serious or even life threatening. Ensure that the installation is properly grounded. Ensure that the enclosure is properly secured and structurally sound to support all loads (weight, wind & ice).

ROOFTOP INSTALLATION WARNING

DO NOT assume that just because you're on a roof, you're isolated from ground. You may still be electrocuted or fall off the roof.