

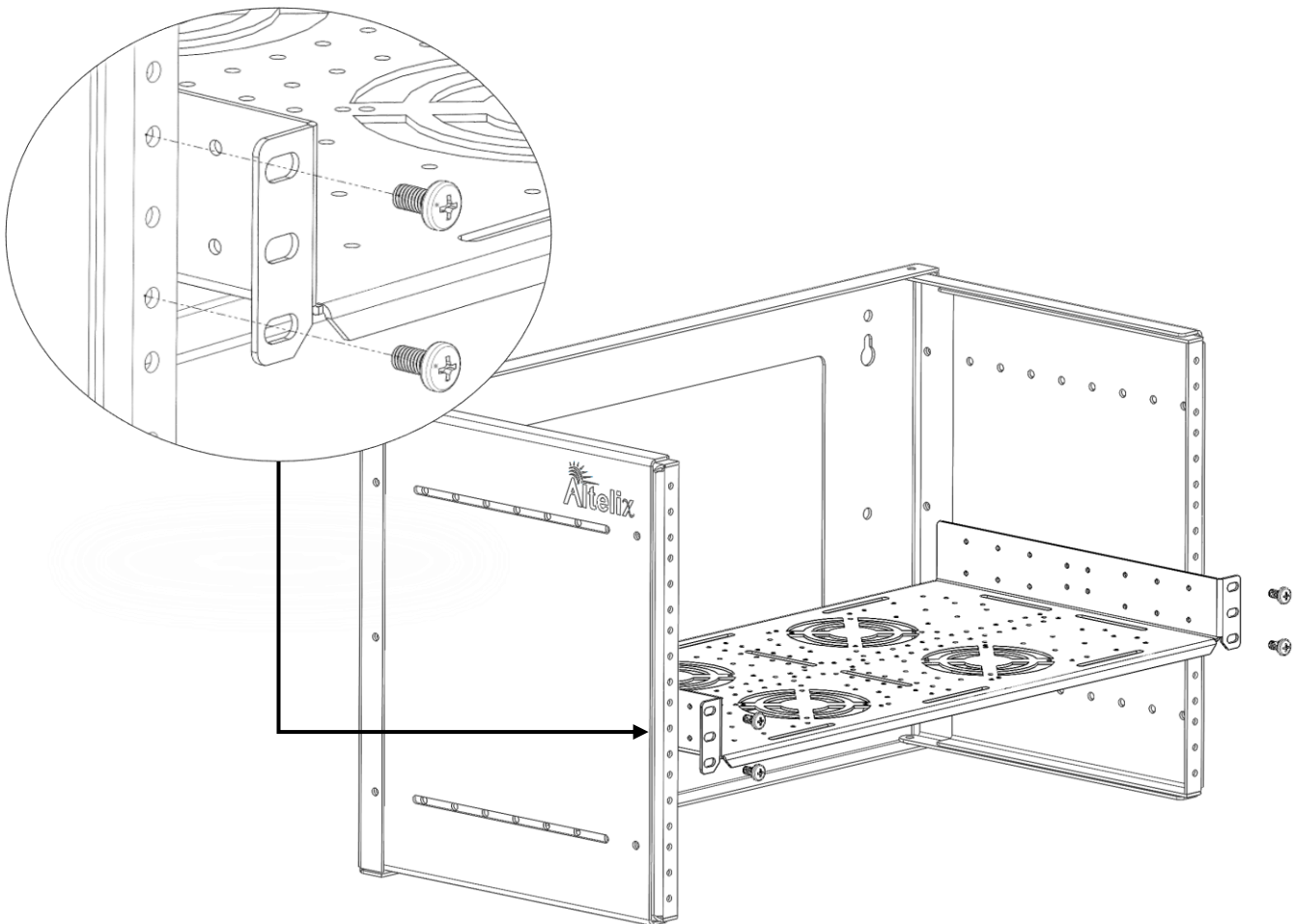
Installing 19" 1U Vented Rack Mountable Shelf

When installing 1U Vented Rack into an Altelix enclosure follow the instructions below.

The 1U Vented Rack includes

- (1) 1U Vented Rack
- (12) #6 Thread Forming Screws
- (4) #10-32 Screws

To install the 1U Vented Rack, please follow the diagram below. Note that this diagram applies for all 19" racks.



Got Questions?
We are here to
help. Contact us at:



sales@altelix.com



USA & Canada: 866-660-9434
International: +1 561-660-9434



www.Altelix.com

Altelix LLC USA: 866-660-WIFI (9434) International: +1 561-660-9434 sales@altelix.com www.altelix.com

Copyright (C) 2026 Altelix LLC. All rights reserved. Altelix and the Altelix logo are Trademarks and/or Registered Trademarks of Altelix LLC.
Specifications are subject to change without notice. See www.altelix.com for most current information

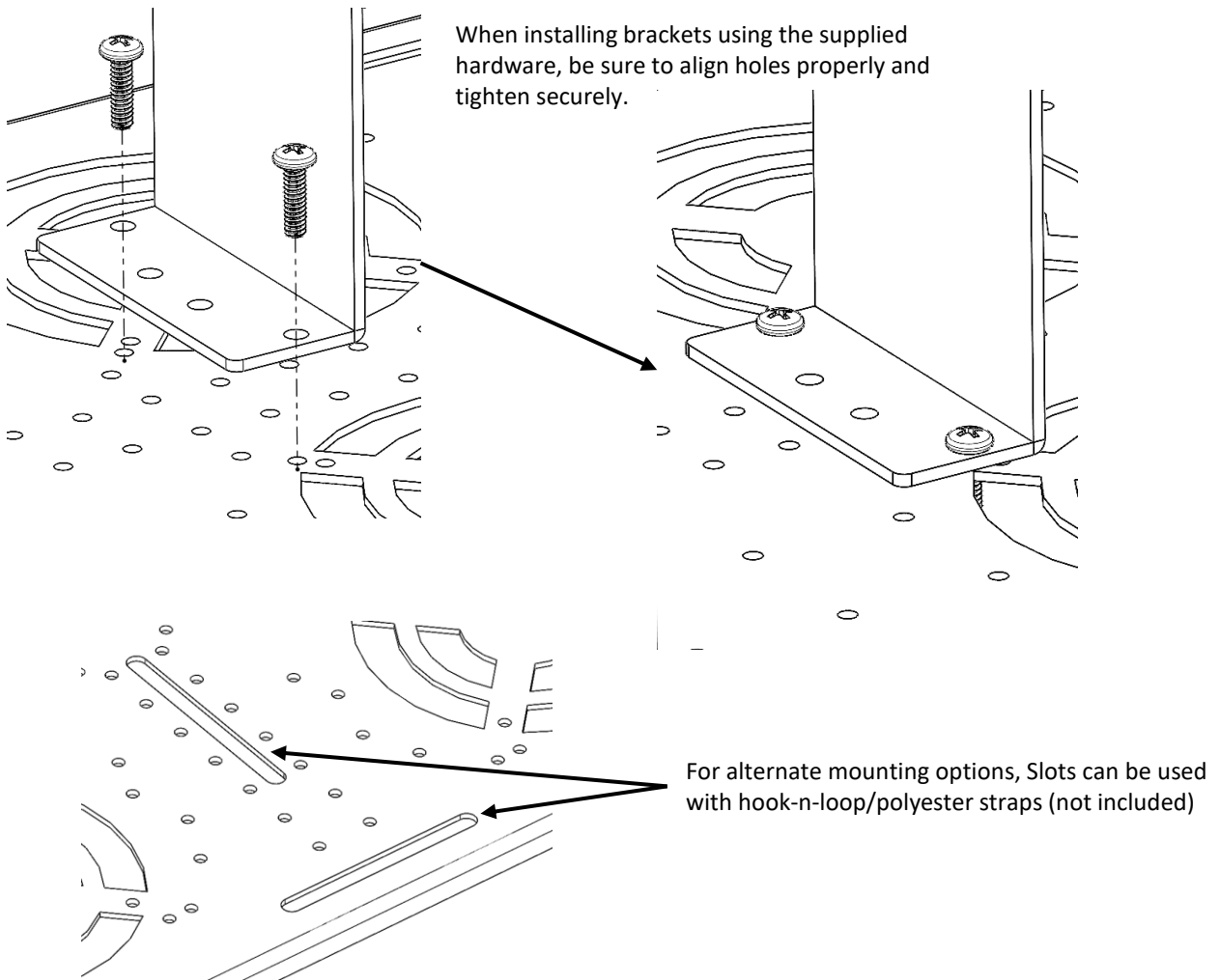
Installing Equipment onto 1U Vented Rack Mountable Shelf

When installing Equipment onto the Altelix 1U Vented Rack follow the instructions below.

The 1U Vented Rack includes

- (1) 1U Vented Rack
- (12) #6 Thread Forming Screws
- (4) #10-32 Screws

To install equipment onto the 1U Vented Rack, please follow the diagram below.



Got Questions?
We are here to help. Contact us at:



sales@altelix.com



USA & Canada: 866-660-9434

International: +1 561-660-9434



www.Altelix.com

Altelix LLC USA: 866-660-WIFI (9434) International: +1 561-660-9434 sales@altelix.com www.altelix.com

Copyright (C) 2026 Altelix LLC. All rights reserved. Altelix and the Altelix logo are Trademarks and/or Registered Trademarks of Altelix LLC. Specifications are subject to change without notice. See www.altelix.com for most current information